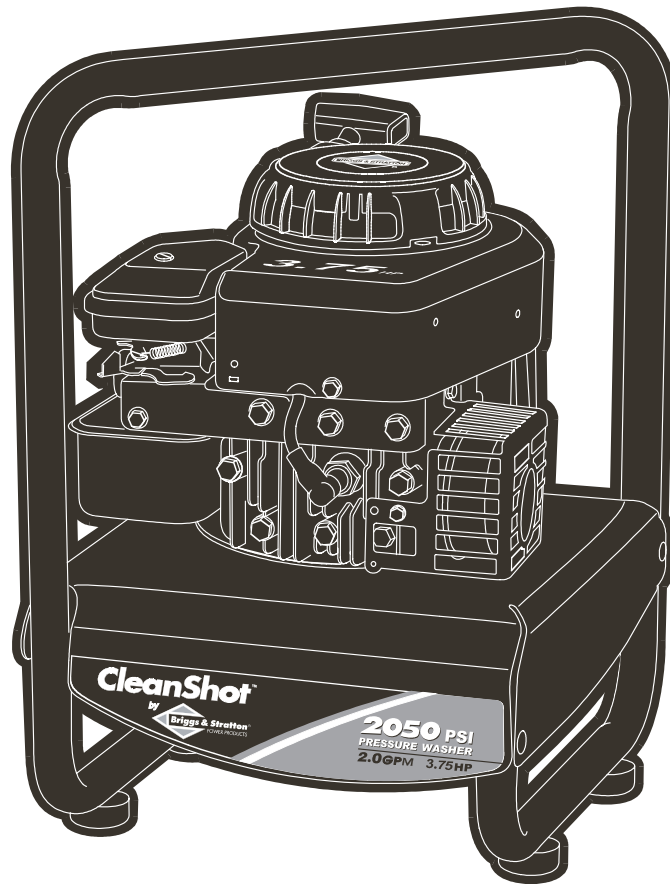


# CleanShot™



# 2050 PSI

## *Illustrated Parts List*



Questions? Help is just a moment away!

Preguntas? La ayuda es justa un momento lejos!

Call: **Pressure Washer Helpline**

Llame: **Línea Directa del Lavador a Presión - 1-800-743-4115** M-F 8-5 CT

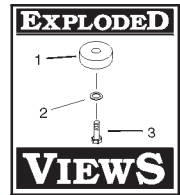
CleanShot™ is a trademark of Briggs & Stratton Power Products.

CleanShot™ es una marca registrada de Briggs & Stratton Power Products.

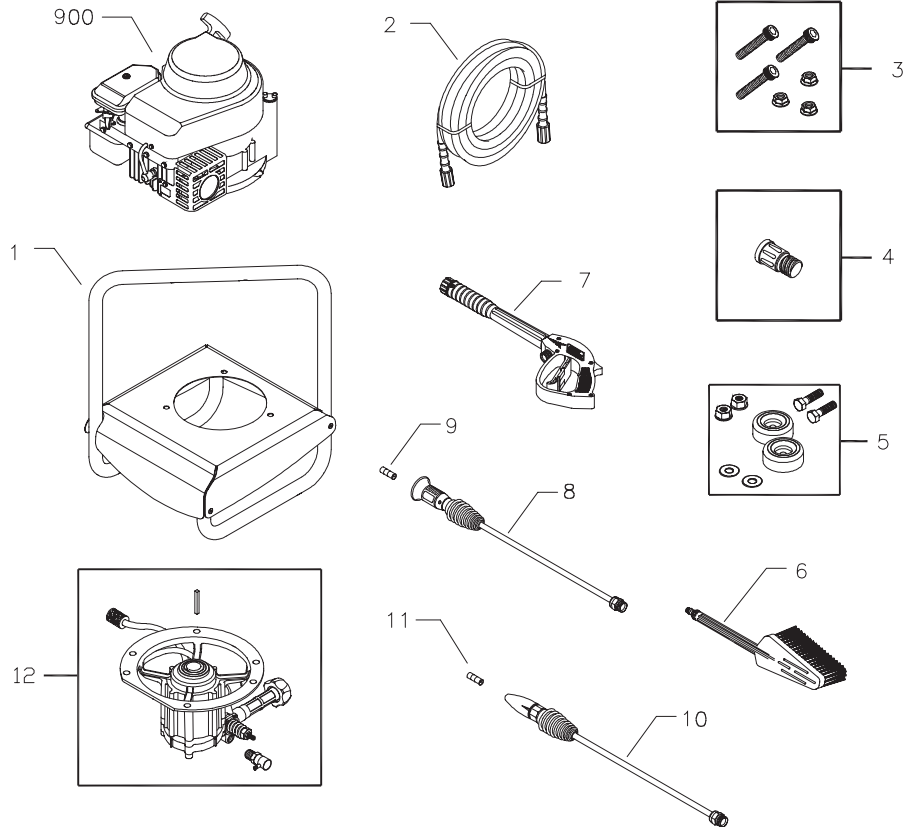
**BRIGGS & STRATTON POWER PRODUCTS GROUP, LLC**

**JEFFERSON, WISCONSIN, U.S.A.**

Model No. 020206-02 (2050 PSI Pressure Washer) Manual No. 197190A Revision A (03/08/2007)



## EXPLODED VIEW AND PARTS LIST - MAIN UNIT



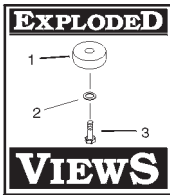
Item	Part #	Description
1	194494GS	ASSY, Base
2	B5693GS	HOSE
3	192525GS	KIT, Pump/Engine Mounting Hardware
4	88935GS	ADAPTER, Extension Brush
5	192310GS	KIT, Vibration Mount
6	88185GS	BRUSH, Utility
7	193482GS	GUN
8	194344D	ASSY, Wand, Adjustable
9	193609DGS	ORIFICE
10	194343BGS	ASSY, Wand, Turbo
11	193611BGS	ORIFICE
12	200200GS	ASSY, Pump (see page 3)
	23139GS	Key
	194298GS	Valve, Thermal Relief
900	§	ENGINE

Items Not Illustrated	
197190GS	MANUAL, Operator's
MS5573	MANUAL, Engine
BB3061BGS	OIL BOTTLE
87815GS	GOGGLES
194481GS	KIT, Decals/Hang Tag, Srv

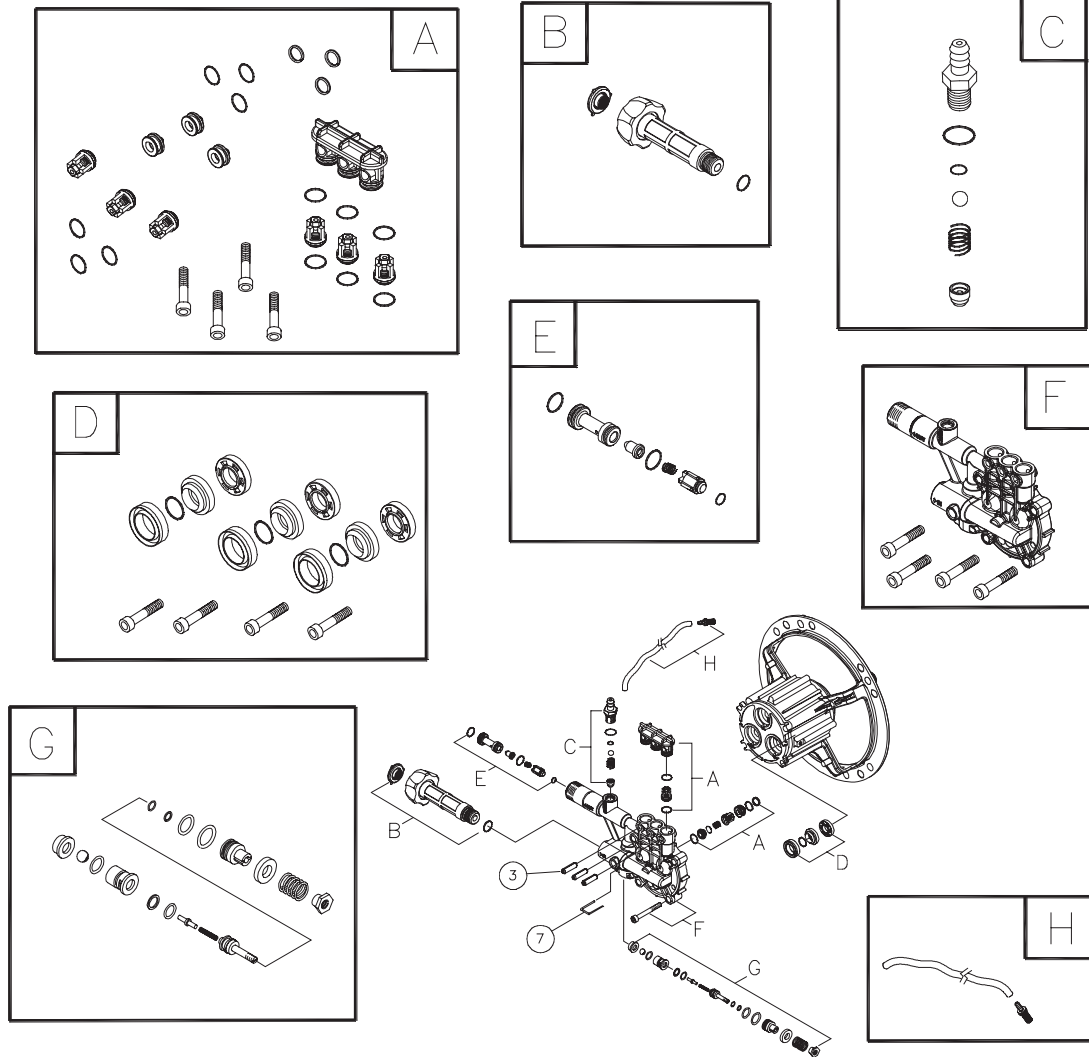
Optional Accessories	
5041D	STABILIZER, Fuel
6048	Kit, O-Ring
6039	PUMP SAVER

§ - Contact Engine Manufacturer

Copyright © 2007 Briggs & Stratton Power Products Group, LLC. All rights reserved. No part of this material may be reproduced or transmitted in any form by any means without the express written permission of Briggs & Stratton Power Products Group, LLC.



## EXPLODED VIEW AND PARTS LIST - PUMP



Item	Part #	Description
3	200274GS	PLUG, Elastic
7	190578GS	PIN
A	200298GS	KIT, CHECK VALVES
B	200278GS	KIT, WATER INLET
C	200279GS	KIT, CHEMICAL INJECTION
D	200280GS	KIT, HIGH PRESSURE SEALS
E	200281GS	KIT, CHEM INJECT VENTURI
F	200282GS	KIT, PUMP HEAD, ALUM
G	200283GS	KIT, BY-PASS
H	189971GS	KIT, CHEMICAL HOSE

Parts Not Illustrated	
B2384GS	FILTER, Inlet
186452GS	FILTER, Inlet, Bag of 10

**NOTE:** Item letters A-H are service kits and include all parts shown within the box.